

BRAVE SPACE SPEC SHEET 2005

TETRIS SHELVES™



A key detail of both the original 2D game and our 3D shelves is that the front and back edges of each piece are beveled away from the interior surfaces. This bevel maintains an eleven inch shelf depth while giving the piece an unreal optical quality when viewed from an angle. Reversible and interchangeable, these sturdy blocks will provide for endless stacking configurations and a lifetime of enjoyment.

Materials

The tetris blocks are made with a two-tone wood veneer over a 1 1/2 inch thick ultralight core. The outsides and edges of each piece are a grey walnut while the interiors are dressed in white ash. Both are buffed to a hard finish with a low sheen natural wax.

Standard Configurations

5 pc. Kit

3' 8" H x 5' 6" W x 11" D

10 pc. Double Kit (shown left)

4' 7" H x 8' 3" W x 11" D

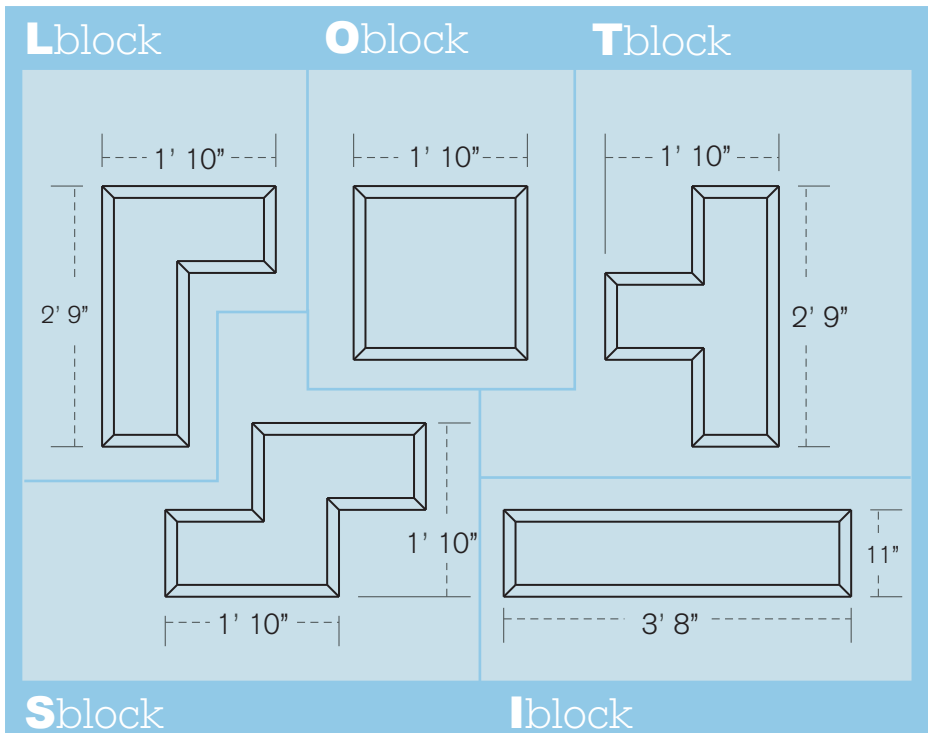
Standard Kit Pricing

Contact Us Directly

info@bravespacedesign.com

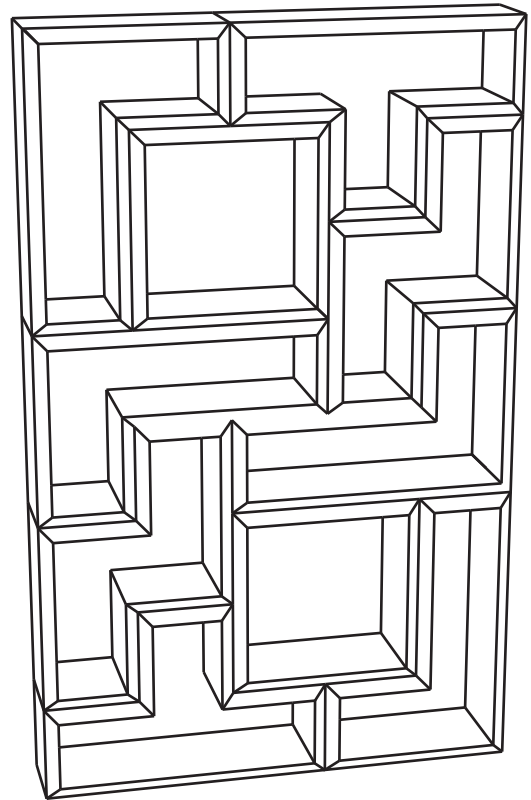
Alternate Configurations Also Available
(See Next Page)

Contact Us For Custom Configurations

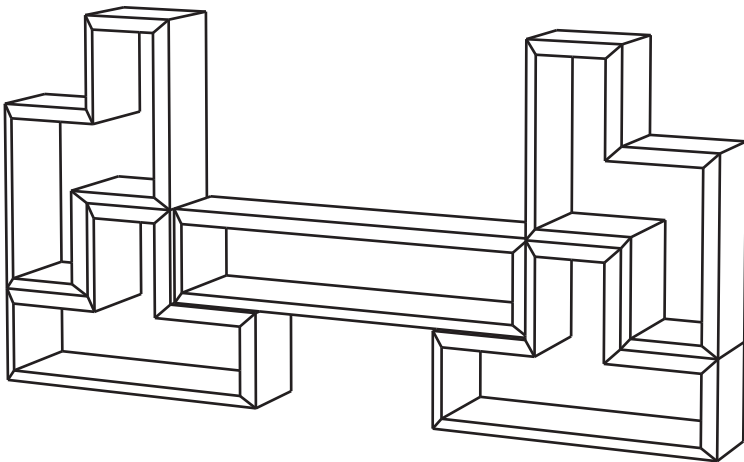


TETRIS SHELVING™

OTHER SUGGESTED CONFIGURATIONS



Vertical Symmetry
7' 4" H x 4' 7" W x 11" D



Entertainment Center
3' 8" H x 7' 4" W x 11" D

End Table
3' 6" H x 2' 9" W x 11" D

